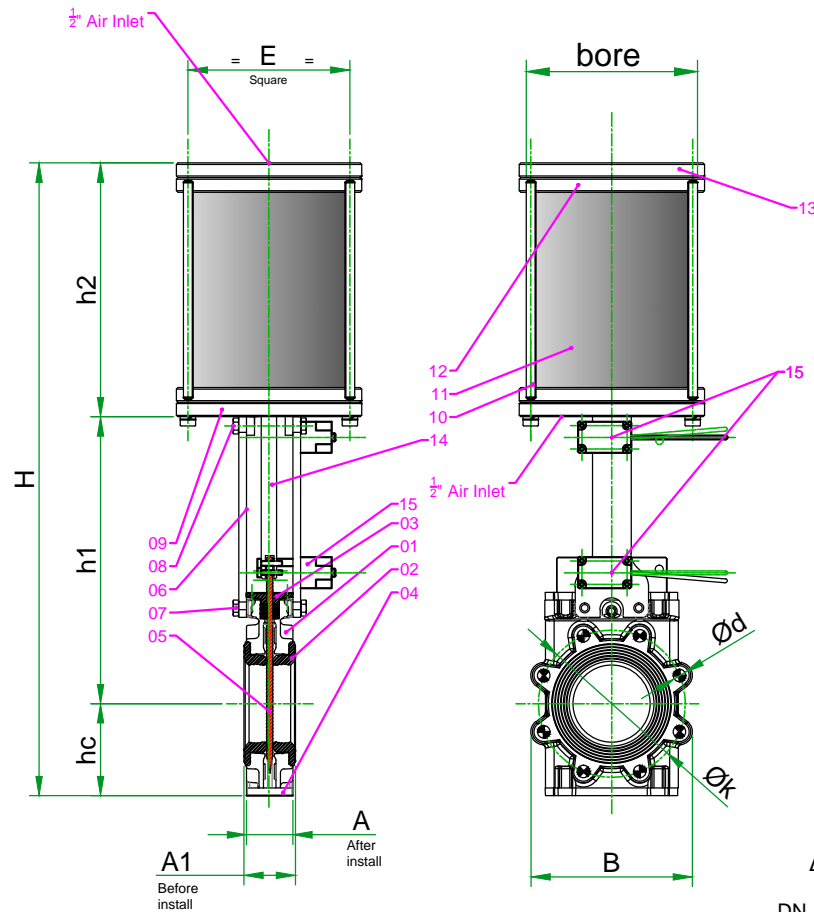


Datasheet for ASKGV01 DN 100 ... 300



Item	DN	A	A1	B	Bore	H	h1	h2	hc	k	d	Holes No.	E
1	100	57	61	208	130	785	370	285	130	190.5	M16	8	113
2	125	64	70	240	156	800	365	295	140	215.9	M20	8	134.5
3	150	64	70	260	156	900	440	320	140	241.3	M20	8	134.5
4	200	76	81	315	206	1100	510	400	190	298.5	M20	8	176.8
5	250	76	81	390	260	1280	625	445	210	362	M20	12	219.2
6	300	83	87	430	310	1550	740	545	265	431.8	M20	12	255

Model : ASKGV01
 DN 100...300
 PN10
 ΔP acc. to table

Body : EN-Js1030 (GGG40)
 Air Inlet Pressure : 6 to 9 barg
 Flange : ASME B16.5 #150
 Test & insp. : ISIRI3644 / ISO5208

BOM List

Ref.	Des. / Name	Qty/Item	Mat.
1	Body	1	EN-Js1030
2	Sleeve	2	NR
3	Top gland	1	St37
4	Bot. gland	1	St37
5	Disc	1	A316-L
6	Side Plate	2	St37
7	Screw	4	8.8
8	Screw and Nut	4	8.8
9	Act. Head Cap	1	EN-Js1030

Ref.	Des. / Name	Qty/Item	Mat.
10	Side Rods	4	St37
11	Act. Body <small>Inner Cr. Coated</small>	2	St37
12	Act. End Cap	1	AL
13	Act. End Cap Cover	1	St37
14	Act. Rod	1	1.4021
15	Micro switch	2	---

ΔP Table

DN	ΔP [Kg/Cm2]
100	10
125	10
150	10
200	10
250	6
300	6

<h2 style="text-align: center;">Avand Valves Co.</h2>				www.avandvalve.com +98-26-34813125-6		
				TITLE: Air Actuated Slurry Knife Valve product code : ASKGV01-100/125/150/200/250/300		
DRAWN CHK'D APPV'D MFG QA	NAME SIGNATURE DATE 1399/9	MATERIAL: Specified in Desc.	DWG NO. ASKGV01	A4	WEIGHT: SCALE: no. Sc	SHEET 1 OF 1