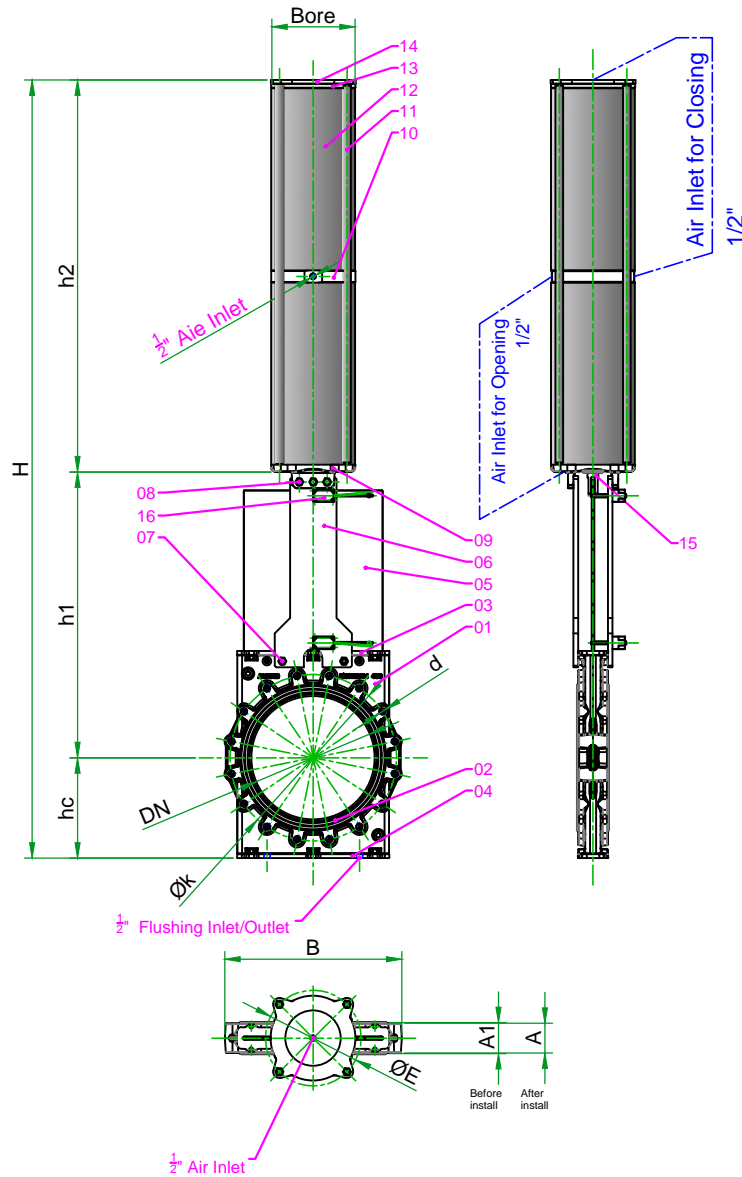


# Datasheet for ASKGV01 DN 350 ... 600



Item	DN	A	A1	B	Bore	H	h1	h2	hc	k	d	Holes No.	E
1	350	83	87	510	260	2190	800	1095	295	476.3	M20	12	310
2	400	96	100	574	260	2485	886	1274	325	539.8	M24	16	310
3	450	96	100	616	260	2750	1020	1380	350	577.9	M24	16	310
4	500	96	100	670	260	--	--	--	--	635	M24	20	310
5	600	121	127	790	310	3270	1205	1625	440	749.3	M27	20	360

Model : ASKGV01  
 DN 400...600  
 PN10  
 ΔP acc. to table

Body : EN-Js1030 (GGG40)  
 Air Inlet Pressure : 6 to 9 barg  
 Flange : ASME B16.5 #150  
 Test & insp. : ISIRI3644 / ISO5208

## BOM List

Ref.	Des. / Name	Qty/Item	Mat.
1	Body	1	EN-Js1030
2	Sleeve	2	NR
3	Top gland	1	St37
4	Bot. gland	1	St37
5	Disc	1	A316-L
6	Side Plate	2	St37
7	Screw	4..8	8.8
8	Screw and Nut	12	8.8
9	Act. Head Cap	1	EN-Js1030

Ref.	Des. / Name	Qty/Item	Mat.
10	tandem disc	1	AL
11	Side Rods	4	St37
12	Act. Body <small>Inner Cr Coated</small>	2	St37
13	Act. End Cap	1	AL
14	Act. End Cap Cover	1	St37
15	Act. Rod	1	1.4021
16	Micro switch	2	---

## ΔP Table

DN	ΔP [Kg/Cm <sup>2</sup> ]
350	10
400	10
450	10
500	10
600	6

# Avand Valves Co.

www.avandvalve.com  
 +98-26-34813125-6

NAME	SIGNATURE	DATE	TITLE:
DRAWN			<b>Air Actuated Slurry Knife Valve</b> product code : ASKGV01-350/400/450/500/600
CHK'D			
APPV'D	HGHavani	1399/9	
MFG	Part Gostar Avand		
QA			MATERIAL:
			Specified in Desc.
			DWG NO:
			ASKGV01
			A4
			WEIGHT:
			SCALE: no. Sc
			SHEET 1 OF 1