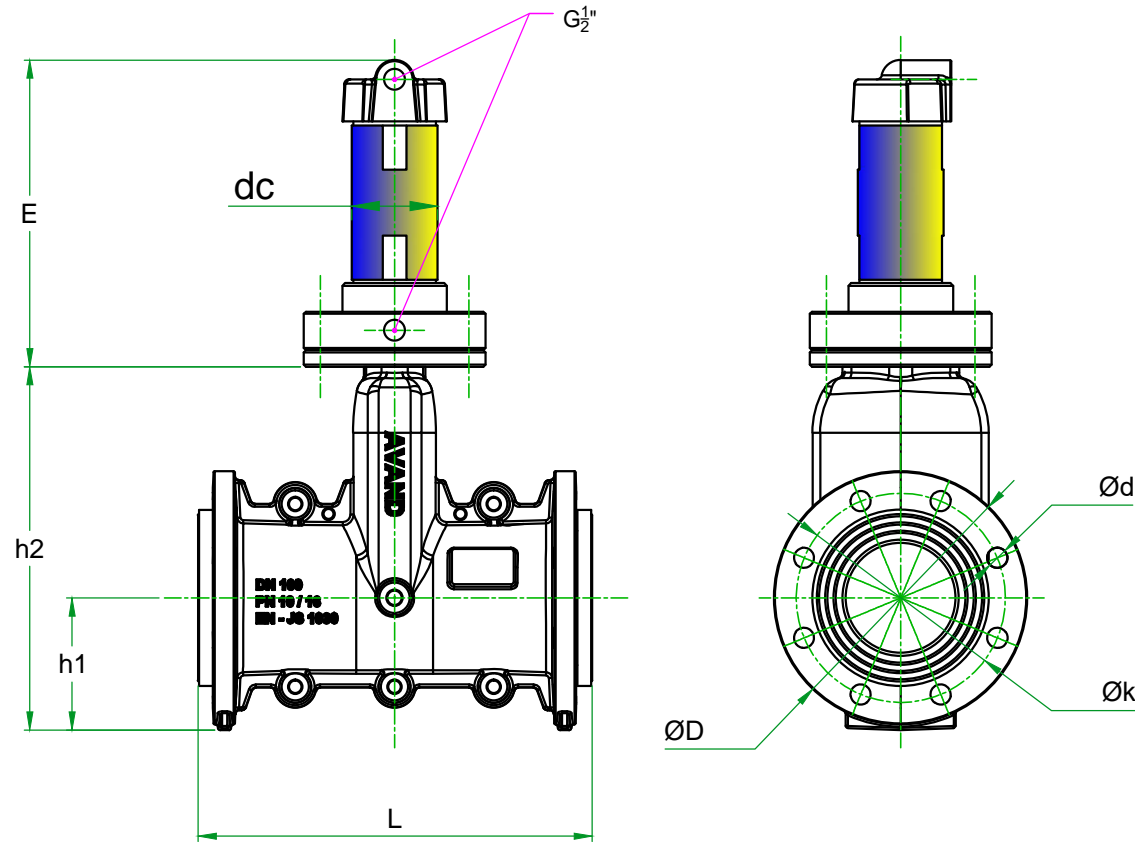


# Hydraulic Actuated Pinch valve (Single Acting Type) DN 100 ... 150



Hydraulic Actuated Pinch Valve  
 Single Acting type  
 Model : HPVE12  
 DN 100...150  
 PN10  
 Body : EN-Js1030 (GGG40)  
 Sleeve : NR  
 Hyd. Inlet Pressure : 60 to 90 bar  
 Flange : ASME B16.5 #150  
 Test & insp. : ISIRI3644 / ISO5208

Item	DN	L	h1	h2	dc	E	d	D	k	Holes No.
1	100	356	120	330	60	225	19	230	190.5	8
2	125	381	135	390	60	280	22.4	255	215.9	8
3	150	457	145	410	75	330	22.4	280	241.3	8

<b>Avand Valves Co.</b>					www.avandvalve.com +98-26-34813125-6	
DRAWN	NAME	SIGNATURE	DATE		TITLE: <b>Hydraulic Actuated Pinch Valve</b> product code : HPVE12-100/125/150	
CHK'D						
APPV'D	H.Ghavami		1399/9			
MFG	Part	Gostar Avand				
D.A				MATERIAL: Specified in Desc.	DWG NO. HPVE12	A4
				WEIGHT:	SCALE: no. Sc	SHEET 1 OF 1