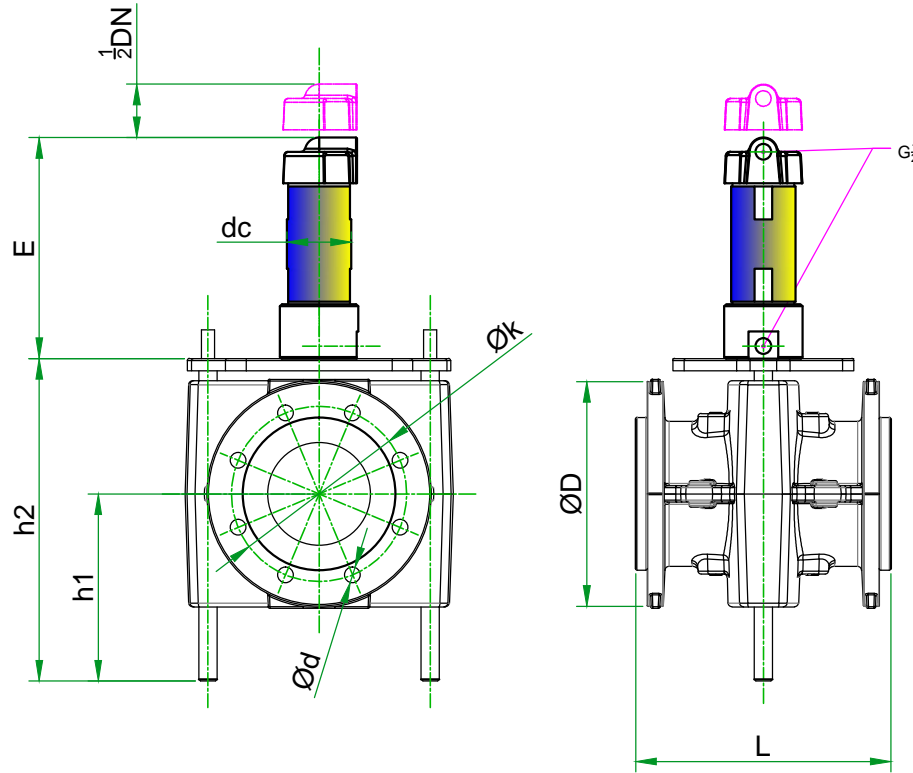


Hydraulic Actuated Pinch valve (Double Acting Type) DN 100 ... 150



Hydraulic Actuated Pinch Valve
 Double Acting type
 Model : HPVED12
 DN 100...150
 PN10
 Body : EN-Js1030 (GGG40)
 Sleeve : NR
 Hyd. Inlet Pressure : 60 to 90 bar
 Flange : ASME B16.5 #150
 Test & insp. : ISIRI3644 / ISO5208

Item	DN	L	h1	h2	dc	E	d	D	k	Holes No.
1	100	229	180	350	60	225	19	230	190.5	8
2	125	254	210	400	60	280	22.4	255	215.9	8
3	150	267	250	480	75	330	22.4	280	241.3	8

Avand Valves Co.				www.avandvalve.com +98-26-34813125-6	
DRAWN	NAME	SIGNATURE	DATE	TITLE:	
CHK'D				Hydraulic Actuated Pinch Valve product code : HPVED12-100/125/150	
APPV'D	HGHavani		1399/9		
MFG	Part Gostar Avand			MATERIAL:	DWG NO.
QA				Specified in Desc.	HPVED12
				WEIGHT:	SCALE: no. Sc
					SHEET 1 OF 1