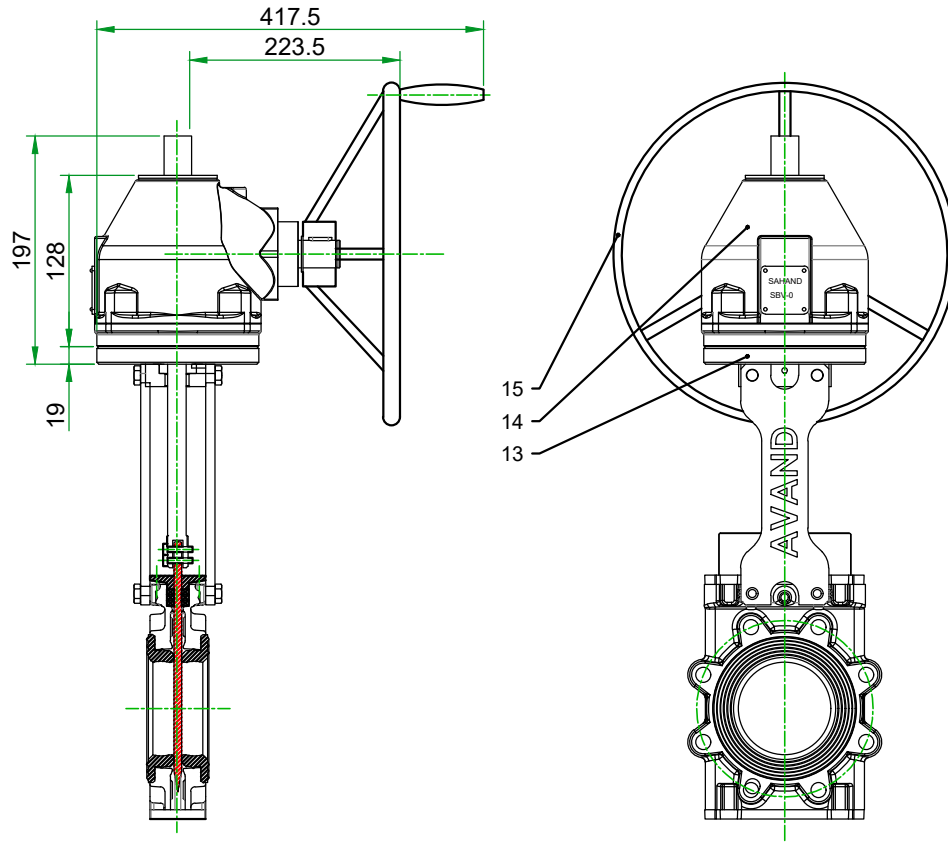
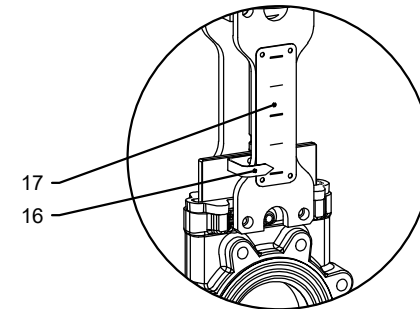


# Gearbox and Positioner Mounting DN 80/100/125/150



For Valve Dim.s refer to  
 catalogue Model: MSKGV01 DWG  
 Gearbox: SAHAND Model : SBV-0  
 Top Flange Acc. to ISO5211 - F14  
 Position Indicator : See View 'A'



Dimensions could change without any prior notice **View 'A'**

Item	Des.	Mat.
13	Top Flange	St37
14	Gearbox SBV-0	---
15	Handwheel	St37
16	Position Indicator arrow	St37
17	Position Scale Plate	SS

MOV Gearbox	
Size	PN Rating
80	16 bar
100	16 bar
125	10 bar
150	10 bar

<b>Avand Valves Co.</b>				www.avandvalve.com +98-26-34813125-6	
DRAWN	A. Norand	SIGNATURE	DATE	TITLE:	
CHK'D			1397/11	<b>Slurry Knife Valve (Gearbox)</b> product code : GSKGV01-80/100/125/150	
APPV'D	HGhavani		1397/12		
MFG	Part Gostar Avand		1397/12	DWG NO. <b>GSKGV01</b> <span style="float: right;">A3</span>	
QA					
				MATERIAL: Specified in Desc.	
				WEIGHT:	
				SCALE: no. Sc	
				SHEET 1 OF 1	