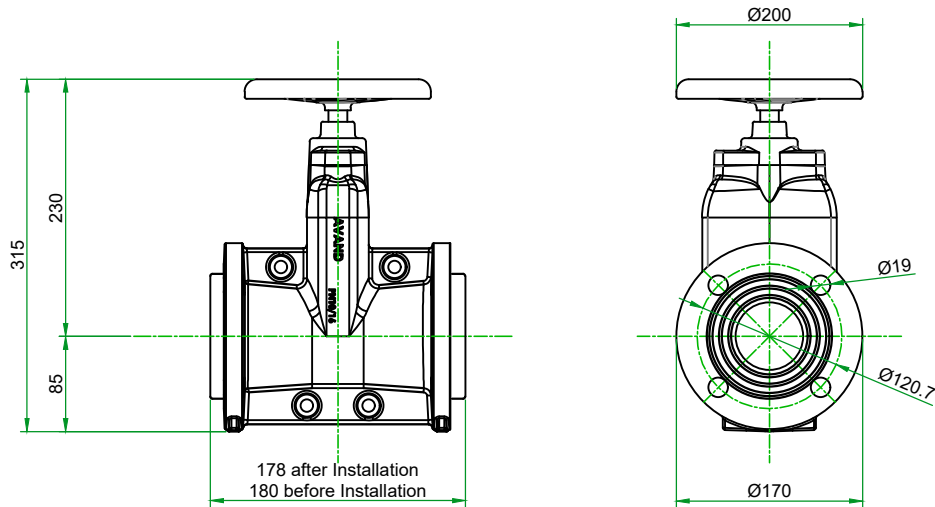


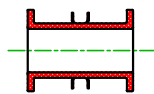
Enclosed Body Short Pattern Pinch Valve

Model : 16PVE01GAN050

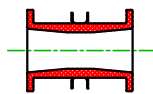


DN 50
 PN16
 Body : En-Js1030 (GGG40)
 Flange Drill : ASME B16.5 #150
 Sleeve : NR
 F-F : ASME B16.10
 Inspection and Test Acc. to:
 ISIRI 3644 (ISO 5208)
 Stem : X20Cr13 (1.4021)

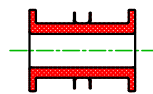
Sleeve Types:



Normal



Reduced
Bore
on Req.



Double
Wall
on Req.

Avand Valves Co.					www.avandvalve.com +98-26-34813125-6	
DRAWN	A. Norandi	SIGNATURE	DATE	1401	Enclosed Body Short Pattern Pinch Valve product code : 16PVE01GAN050	
CHK'D						
APPV'D	H.Ghavami		1401			
MEG	Part Gostar Avand		1401			
QA					MATERIAL:	DWG NO.
					Specified in Desc.	16PVE01GAN050-DS
					WEIGHT:	SCALE: no. Sc
						SHEET 1 OF 1