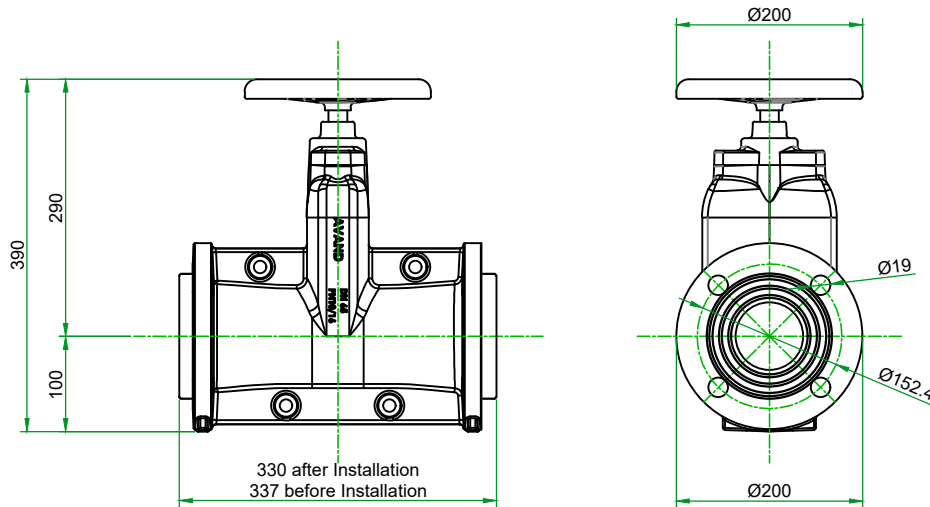
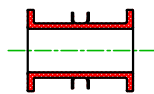


Enclosed Body Long Pattern Pinch Valve
 Model : 16PVE12GAN080

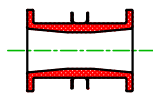


DN 80
 PN16
 Body : En-Js1030 (GGG40)
 Flange Drill : ASME B16.5 #150
 Sleeve : NR
 F-F : ASME B16.10
 Inspection and Test Acc. to:
 ISIRI 3644 (ISO 5208)
 Stem : X20Cr13 (1.4021)

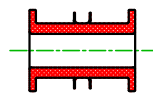
Sleeve Types:



Normal



Reduced
Bore
on Req.



Double
Wall
on Req.

Avand Valves Co.				www.avandvalve.com +98-26-34813125-6	
NAME	SIGNATURE	DATE		TITLE:	
DRAWN: A. Norand		1401		Enclosed Body Long Pattern Pinch Valve product code : 16PVE12GAN080	
CHK'D:					
APPV'D: H.Ghavami		1401			
MEG: Part Gostar Avand		1401			
QA:			MATERIAL:	DWG NO.	A4
			Specified in Desc.	16PVE12GAN080-DS	
			WEIGHT:	SCALE: no. Sc	SHEET 1 OF 1